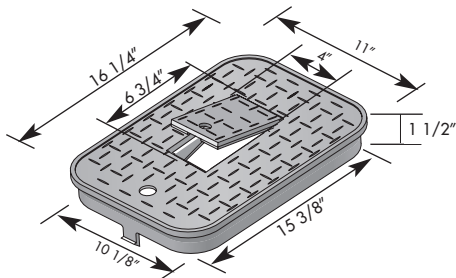


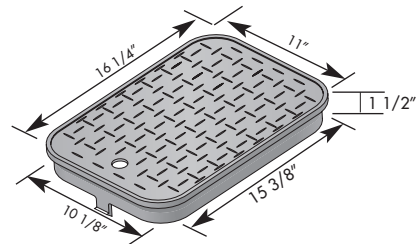
NDS 13x20 Jumbo AMR Boxes

NDS 13x20 AMR Meter Boxes and Covers

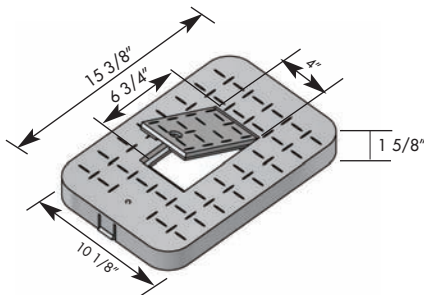
NDS 13"x20" AMR/TR meter boxes and covers are injection molded of structural foam recycled polyolefin material with a melt index between 10-12. Coloring and UV stabilizers are added, along with processing lubricants when needed. The 13"x 20" body shall be tapered and have a minimum wall thickness of .25". The body shall have a double wall at the top cover seat area with a minimum thickness of .187". The cover seat area shall have 16 structural support ribs on the underside of the seat, each with a minimum thickness of 3/16". The bottom of the body shall have a 1" flange. The 12"x 17" cover shall have an average thickness of .250".



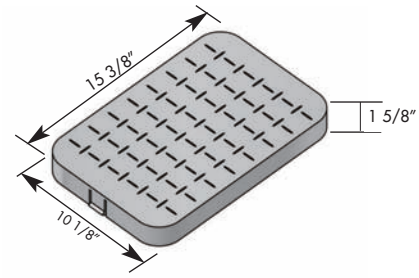
Overlapping Reader Cover



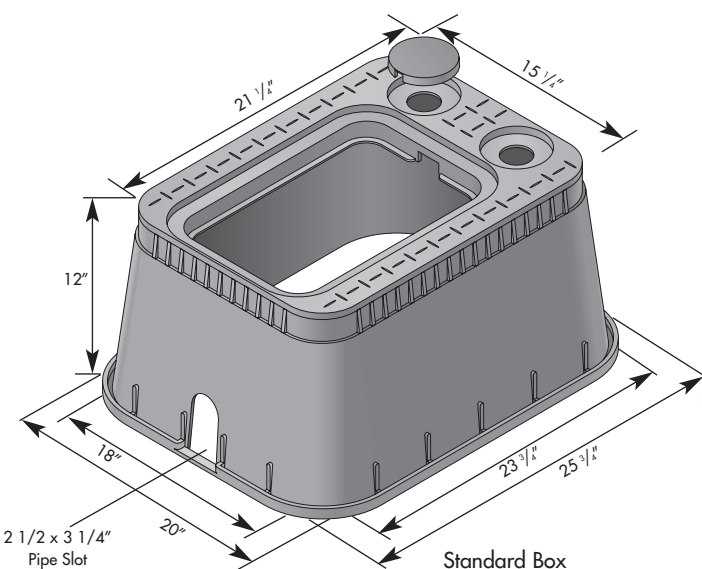
Overlapping Solid Cover



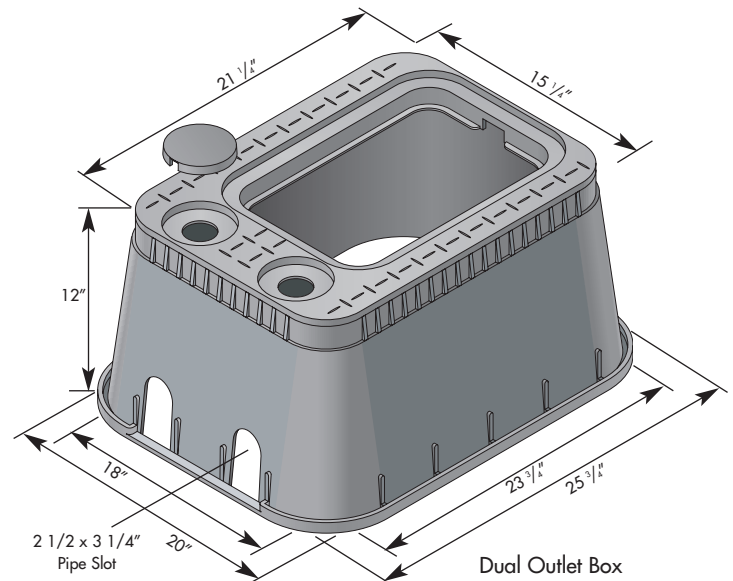
Drop In Reader Cover



Drop In Solid Cover



Standard Box



Dual Outlet Box

Product is not to be installed in concrete and is not to be used in vehicular applications. Weights and dimensions are nominal.

Part Number	Description	Cover Type	Color (Box/Cover)	Weight Ea
Drop In Box & Cover				
D15AMR2-DI	13"x20"x12" Jumbo AMR Box	Drop-in Cover - Water Meter	Solid Plastic	Black/Black 16.20
D15AMR2-DIR	13"x20"x12" Jumbo AMR Box	Drop-in Meter Reader Cover - Water Meter	Plastic w/ Plastic Reader	Black/Black 16.20
D15AMR2-DICIR	13"x20"x12" Jumbo AMR Box	Drop-in Meter Reader Cover - Water Meter	Plastic w/ Cast Iron Reader	Black/Black 17.40
Overlapping Box & Cover				
D15AMR2-OLSB	13"x20"x12" Jumbo AMR Box	Overlapping Cover - Water Meter	Solid Plastic	Black/Black 16.40
D15AMR2-OLLOC	13"x20"x12" Jumbo AMR Box	Overlapping Locking Cover - Water Meter	Solid Plastic	Black/Black 16.60
D15AMR2-OLR	13"x20"x12" Jumbo AMR Box	Overlapping Meter Reader Cover - Water Meter	Plastic w/ Plastic Reader	Black/Black 16.40
Drop In Cover Only				
D1200-DISBL		12"x17" Drop-in Cover - Water Meter	Solid Plastic	Black 2.20
D1200-DIRBL		12"x17" Drop-in Meter Reader Cover - Water Meter	Plastic w/ Plastic Reader	Black 2.20
D1200-DICIRLID		12"x17" Drop-in Meter Reader Cover - Water Meter	Plastic w/ Cast Iron Reader	Black 3.40
Overlapping Cover Only				
D1200-OLSBL		12"x17" Overlapping Cover - Water Meter	Solid Plastic	Black 2.40
D1200-OLLOCBLD		12"x17" Overlapping Locking Cover - Water Meter	Solid Plastic	Black 2.60
D1200-OLRBL		12"x17" Overlapping Meter Reader Cover - Water Meter	Plastic w/ Plastic Reader	Black 2.40
Box Only				
D15AMR2-B/O	13"x20"x12" Jumbo AMR Box with Pipe Knockouts		Black	13.06
D15AMR2-DU B/O	13"x20"x12" Jumbo AMR Box with Dual Pipe Slots		Black	10.20
Accessories				
D15AMR-PLUG	D15AMR Hole Plug		Black	0.10

Call for additional options and availability

Properties of Unfoamed Resin

	ASTM Test Method	Polyolefin
Tensile Strength, Yield	ASTM D 638	3400-4400 PSI
Density	ASTM D 792	.900-.956
Notched Izod Impact Strength	ASTM D 256	1.5-15 ft. lbs/in.
Heat Deflection Temperature @ 66 PSI, Degrees F.	ASTM D 648	150-212 degrees F.

Shipping Configuration

	Box	Lid
Pallet	48	96
Pieces per Stack	12	16
Stack per Pallet	4	6
Pallet Dimensions	42"x48"x48"	42"x42"x36"



NDS Technical Services

851 N. Harvard Ave
Lindsay, CA 93247
Phone: (888) 825-4716
(559) 562-9888
Fax: (800) 726-1998
(559) 562-4488

TechService@ndspro.net

www.NDSPRO.com