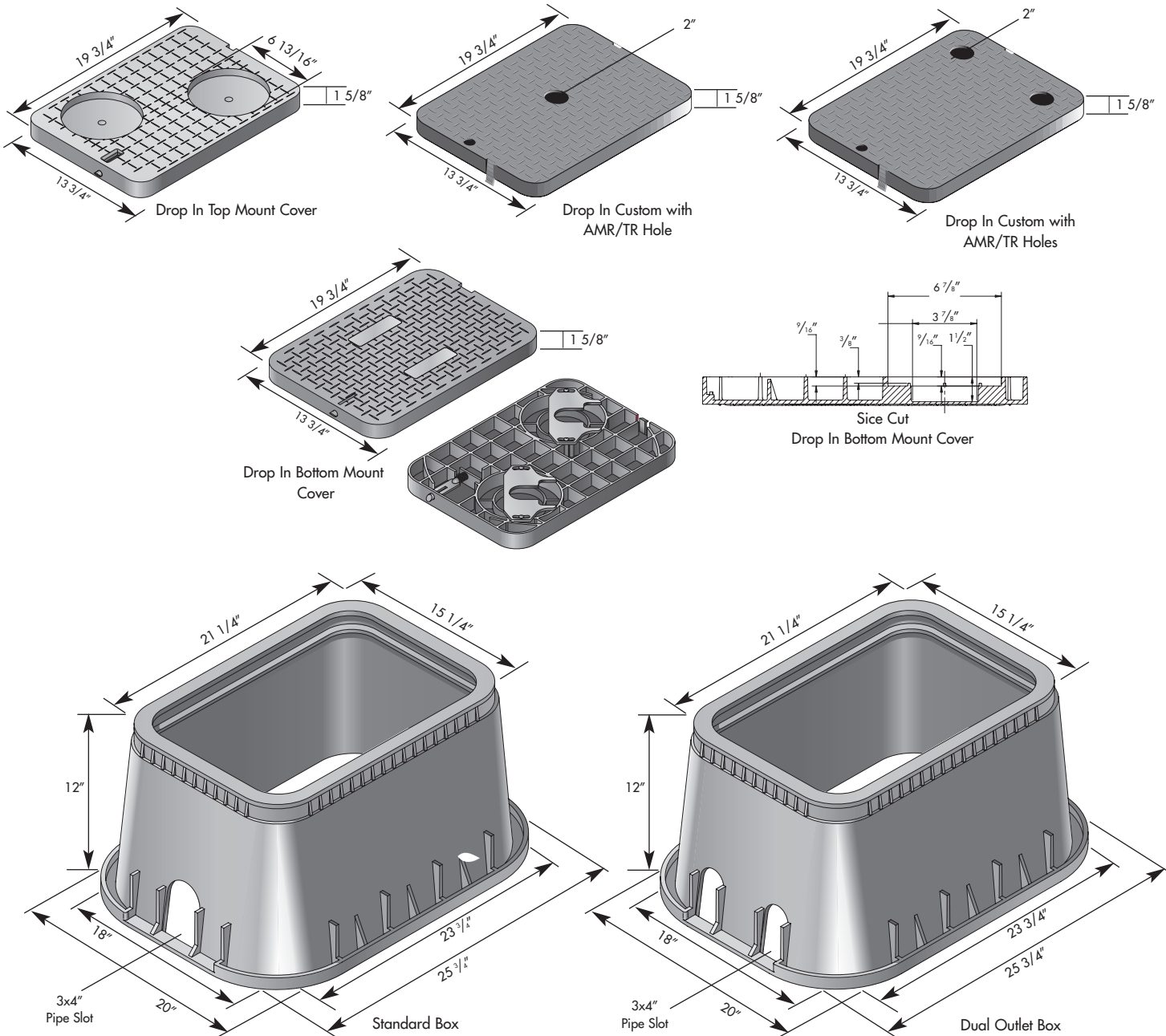


## NDS 13x20 Jumbo AMR/TR Meter Boxes & Covers

### NDS 13x20 Boxes and AMR/TR Meter Covers

NDS 13"x20" meter boxes and covers are injection molded of structural foam recycled polyolefin material with a melt index between 10-12. Coloring and UV stabilizers are added, along with processing lubricants when needed. The 13"x 20" body shall be tapered and have a minimum wall thickness of .25". The body shall have a double wall at the top cover seat area with a minimum thickness of .187". The cover seat area shall have 56 structural support ribs on the underside of the seat, each with a minimum thickness of 1/50". The bottom of the body shall have a 1" flange. The 13"x 20" cover shall have an average thickness of .250".



Product is not to be installed in concrete and is not to be used in vehicular applications. Weights and dimensions are nominal.

Part Number	Description	Cover Type	Color (Box/Cover)	Weight Ea
<b>Drop In Box &amp; Cover</b>				
D15-BAMR	13"x20"x12" Jumbo Box	Drop-in Locking Cover - Water Meter	Solid Plastic w/ Double Bottom Mount AMR Brackets	Black/Black 24.40
D15DU-BAMR	13"x20"x12" Dual Pipe Slot Box	Drop-in Locking Cover - Water Meter	Solid Plastic w/ Double Bottom Mount AMR Brackets	Black/Black 23.91
D15DU-TAMR	13"x20"x12" Dual Pipe Slot Box	Drop-in Locking Cover - Water Meter	Solid Plastic, Double 2" AMR/TR Hole w/ 7" Top Recess	Black/Black 15.00
D1500-DISBTR	13"x20"x12" Jumbo Box	Drop-in Cover - Water Meter	Solid Plastic w/ Single Custom AMR/TR Hole	Black/Black 13.20
D1500-DISB2DTR	13"x20"x12" Jumbo Box	Drop-in Cover - Water Meter	Solid Plastic w/ Double Custom AMR/TR Hole	Black/Black 13.49
<b>Drop In Cover Only</b>				
D15-BAMRL	13"x20" Drop-in Locking Cover - Water Meter	Solid Plastic w/ Double Bottom Mount AMR Brackets	Black	15.00
D15-TAMRL	13"x20" Drop-in Locking Cover - Water Meter	Solid Plastic, Double 2" AMR/TR Hole w/ 7" Top Recess	Black	5.40
D1500-DISBTRLD	13"x20" Drop-in Cover - Water Meter	Solid Plastic w/ Single Custom AMR/TR Hole	Black	3.80
D1500-DISB2DTRL	13"x20" Drop-in Cover - Water Meter	Solid Plastic w/ Double Custom AMR/TR Hole	Black	6.00
<b>Box Only</b>				
D1500-B/O	13"x20"x12" Jumbo Box		Black	9.40
D1500-DUB/O	13"x20"x12" Dual Pipe Slot Box		Black	8.91
D1500-BDB/O	13"x20"x12" Jumbo Bolt Down Box		Black	9.60
D750E-EXT	13"x20"x6" Extension		Black	5.60

Call for additional options and availability

Properties of Unfoamed Resin	ASTM Test Method	Polyolefin
Tensile Strength, Yield	ASTM D 638	3400-4400 PSI
Density	ASTM D 792	.900-.956
Notched Izod Impact Strength	ASTM D 256	1.5-15 ft. lbs/in.
Heat Deflection Temperature @ 66 PSI, Degrees F.	ASTM D 648	150-212 degrees F.

Shipping Configuration		
	Box	Cover
Pallet	48	96
Pieces per Stack	12	16
Stack per Pallet	4	6
Pallet Dimensions	42"x48"x48"	42"x42"x36"



**NDS Technical Services**

851 N. Harvard Ave  
 Lindsay, CA 93247  
 Phone: (888) 825-4716  
 (559) 562-9888  
 Fax: (800) 726-1998  
 (559) 562-4488

TechService@ndspro.net  
[www.NDSPRO.com](http://www.NDSPRO.com)