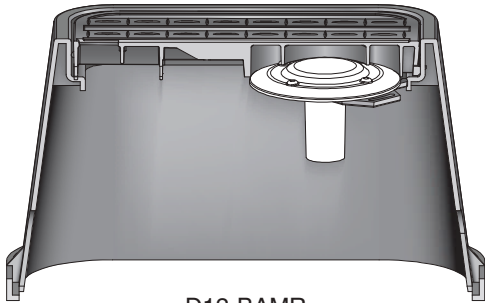


NDS AUTOMATIC METER READER (AMR) BOXES

STANDARD COMMERCIAL GRADE

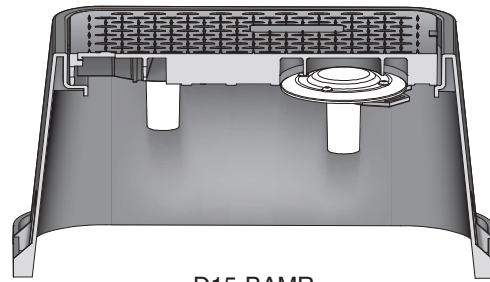
Designed specifically for the Automatic Meter Reading industry, the newest line of AMR boxes builds on our tradition of strength, durability and value.

Like our current Automatic Meter Reading products, this new line of AMR boxes and covers are injection-molded of polyolefins. Polyolefins offer superior signal transmission versus products made of concrete materials or cast iron. Our AMR boxes are also lighter in weight, which eases installation and lowers freight and handling costs.



D12-BAMR

Single AMR bottom mount (pre-assembled bracket)

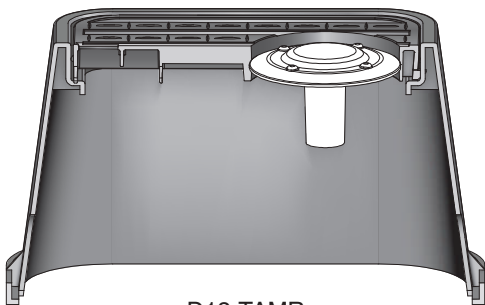


D15-BAMR

Double AMR bottom mount (pre-assembled bracket)

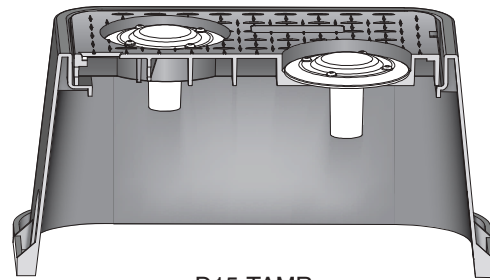
Bottom Mounts

- Concealed antennae are completely protected from landscape equipment damage and are less likely to draw attention from vandals.
- Exceptional antennae signal transmissions.
- Offset cavities eliminate the physical interference between antennae and meter.
- Bracket accommodates a majority of the industry antennae.



D12-TAMR

Single AMR top mount



D15-TAMR

Double AMR top mount

Top Mounts

- Recess reduces the probability of damage caused by landscape equipment and vandals.
- Offset recesses eliminate the physical interference between the antennae and meter.
- Recess and holes accommodate most of the industry antennae.
- Compatible with many of the industry Touch Read antennae.