

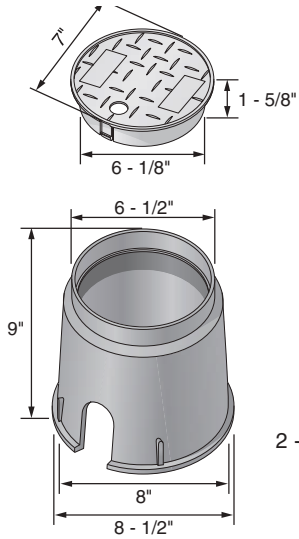
NDS METER BOXES

STANDARD COMMERCIAL GRADE

NDS D109 Meter Boxes

Specifications: NDS 6" round meter boxes and covers are injection molded of recycled polyolefin material with a melt index between 10-12. Coloring and UV stabilizers are added, along with processing lubricants when needed.

The 6" round body shall be tapered and have a minimum wall thickness of .13". The body shall have a double wall at the top cover seat area with a minimum thickness of .125". The bottom of the body shall have a .25" flange. The 6" round cover shall have an average thickness of .15".



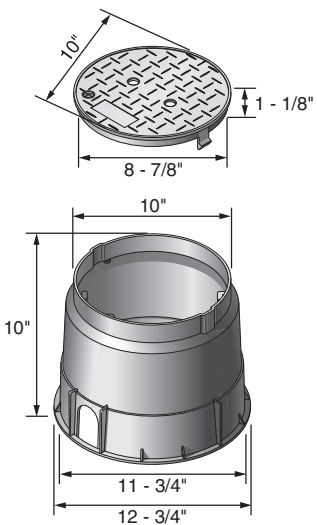
2 - 1/4 x 2 - 3/4" Pipe Slots

Part Number	Description - Marking	Color (Box/Cover)	Pallet Qty	Weight (Ea)	Product Class
Box & Cover					
D109-B	6" Round Box, Overlapping Solid Plastic Cover - Water Meter	Black/Black	600	1.21	20ME
D109-P	6" Round Box, Overlapping Solid Plastic Cover - Reclaimed Water	Purple/Purple	600	1.21	20DV
Cover Only					
D109-PL	6" Round Overlapping Solid Plastic Cover - Reclaimed Water	Purple	600	0.40	20DV
Box Only					
D109-B/O	6" Round Box	Black	600	0.80	20ME

NDS D1100 Meter Boxes

Specifications: NDS 10" round meter boxes and covers are injection molded recycled polyolefin material with a melt index between 10-12. Coloring and UV stabilizers are added, along with processing lubricants when needed.

The 10" round body shall be tapered and have a minimum wall thickness of .20". The body shall have a cover seat area with a minimum thickness of .20". The bottom of the body shall have a .50" flange. The 10" round cover shall have an average thickness of .20".



2 x 3" Pipe Slot

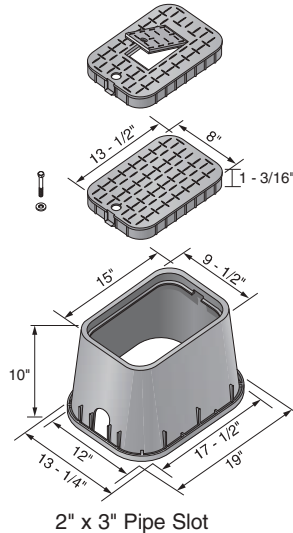
Part Number	Description - Marking	Color (Box/Cover)	Pallet Qty	Weight (Ea)	Product Class
Box & Cover					
D1100-SB	10" Round Box, Overlapping Solid Plastic Cover - Water Meter	Black/Black	99	3.00	20ME
D1100-SP	10" Round Box, Overlapping Reclaimed Solid Plastic Cover - Reclaimed Water	Black/Purple	99	3.00	20DV
D1100-SGSR	10" Round Box, Overlapping Solid Plastic Cover - Sewer	Black/Green	99	3.00	20ME
Cover Only					
D1100-SPL	10" Round Overlapping Solid Plastic Cover - Reclaimed Water	Purple	350	0.80	20DV
Box Only					
D1100-B/O	10" Round Box	Black	99	2.20	20ME
D1100P-B/O	10" Round Box	Purple	99	2.20	20DV

ALL LOCKING LIDS REQUIRE PART NUMBER DKEY FOR UNLOCKING

Note: All dimensions are nominal. All weights are for shipping purposes only. Availability is subject to change.

NDS D1000 Meter Boxes

Specifications: NDS D1000 meter boxes and covers are injection molded of structural foam recycled polyolefin material with a melt index between 10-12. Coloring and UV stabilizers are added, along with processing lubricants when needed. NDS 10"x15"x10" body shall be tapered and have a minimum wall thickness of .13". The body shall have a double wall at the top cover seat area with a minimum thickness of .20". The cover seat area shall have 12 structural support ribs on the underside of the seat, each with a minimum thickness of .130". The bottom of the body shall have a .75" flange.

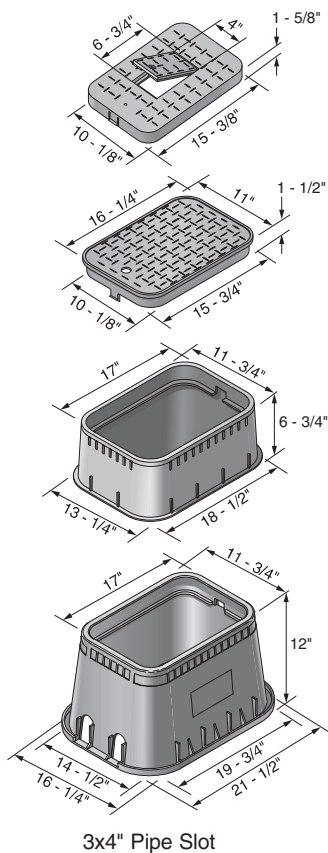


Part Number	Description - Marking	Color (Box/Cover)	Pallet Qty	Weight (Ea)	Product Class
Drop In Box & Cover D1000-SB	10"x15"x10" Box, Drop-in Solid Plastic Cover - Water Meter	Black/Black	96	5	20ME
D1000-RB	10"x15"x10" Box, Drop-in Meter Reader Plastic w/ Plastic Reader Cover - Water Meter	Black/Black	96	5	20ME
Drop In Cover Only D1000-SBL	10"x15" Drop-in Meter Solid Plastic Cover - Water Meter	Black	300	1.4	20ME
D1000-RBL	10"x15" Drop-in Meter Reader w/ Plastic Reader Cover - Water Meter	Black	300	1.6	20ME
Box Only D1000-B/O	10"x15"x10" Box	Black	96	3.4	20ME

NDS D1200 Meter Boxes

Specifications: NDS D1200 meter boxes and covers are injection molded of structural foam recycled polyolefin material with a melt index between 10-12. Coloring and UV stabilizers are added, along with processing lubricants when needed.

NDS 14"x19"x12" body shall be tapered and have a minimum wall thickness of .25". The body shall have a double wall at the top cover seat area with a minimum thickness of .187". The cover seat area shall have 30 structural support ribs on the underside of the seat, each with a minimum thickness of 3/16". The bottom of the body shall have a 1" flange. The D1200 cover shall have a minimum thickness of .250".



Part Number	Description - Marking	Color (Box/Cover)	Pallet Qty	Weight (Ea)	Product Class
Drop In Box & Cover D1200-DISB	14"x19"x12" Standard Box, Drop-in Solid Plastic Cover - Water Meter	Black/Black	72	9.00	20ME
D1200-DUDISB	14"x19"x12" Standard Dual Pipe Slot Box, Drop-in Solid Plastic Cover - Water Meter	Black/Black	72	9.00	20ME
D1200-DISBSWR	14"x19"x12" Standard Box, Drop-in Solid Plastic Cover - Sewer	Black/Black	72	9.00	20ME
D1200-DISGSWR	14"x19"x12" Standard Box, Drop-in Solid Plastic Cover - Sewer	Black/Green	72	9.00	20ME
D1200-DISBLU	14"x19"x12" Standard Box, Drop-in Solid Plastic Cover - Water Meter	Black/Blue	72	9.00	20ME
D1200-DIRB	14"x19"x12" Standard Box, Drop-in Meter Reader Plastic w/ Plastic Reader Cover - Water Meter	Black/Black	72	9.00	20ME
D1200-DUDIRB	14"x19"x12" Standard Dual Pipe Slot Box, Drop-in Meter Reader Plastic w/ Plastic Reader Cover - Water Meter	Black/Black	72	9.00	20ME
D1200-DIBLRD	14"x19"x12" Standard Box, Drop-in Meter Reader Plastic w/ Plastic Reader Cover - Water Meter	Black/Blue	72	9.00	20ME
D1200-DIRG	14"x19"x12" Standard Box, Drop-in Meter Reader Plastic Reader Cover - Water Meter	Black/Green	72	9.00	20ME
D1200-DICIR	14"x19"x12" Standard Box, Drop-in Meter Reader Plastic w/ Cast Iron Reader Cover - Water Meter	Black/Black	72	10.20	20ME
D1200-DUDICIR	14"x19"x12" Standard Dual Pipe Slot Box, Drop-in Meter Reader Plastic w/ Cast Iron Reader Cover - Water Meter	Black/Black	72	10.20	20ME

ALL LOCKING LIDS REQUIRE PART NUMBER DKEY FOR UNLOCKING

Note: All dimensions are nominal. All weights are for shipping purposes only. Availability is subject to change.



For customer service, please send your fax to: 1-800-726-1998 or call 1-800-726-1994.

NDS METER BOXES

STANDARD COMMERCIAL GRADE

NDS D1200 Meter Boxes (cont.)

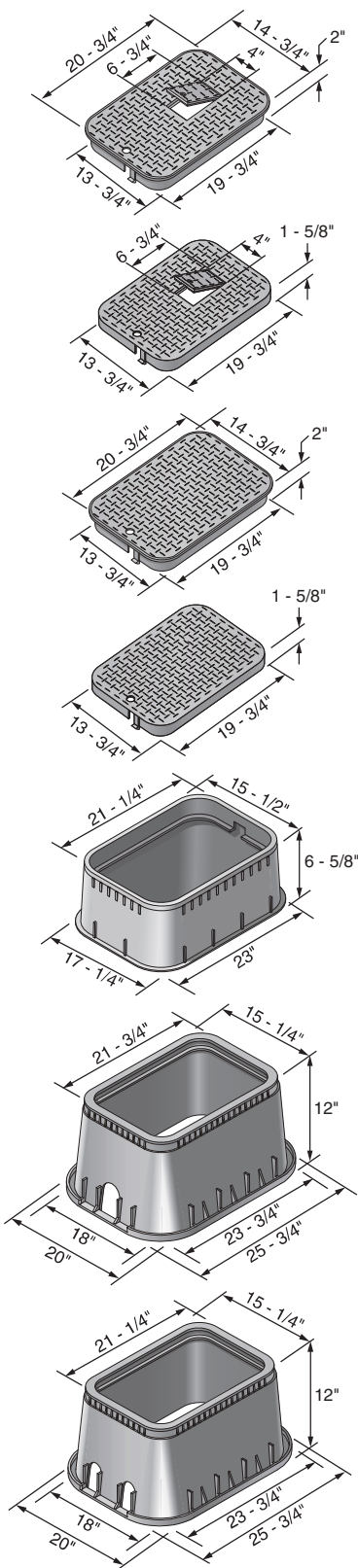
Part Number	Description - Marking	Color (Box/Cover)	Pallet Qty	Weight (Ea)	Product Class
D1200P-DICIRP	14"x19"x12" Standard Box, Drop-in Meter Reader Plastic w/ Cast Iron Reader Cover - Reclaimed Water	Purple/Purple	72	10.20	20ME
Overlapping Box & Cover					
D1200-OLSB	14"x19"x12" Standard Box, Overlapping Solid Plastic Cover - Water Meter	Black/Black	72	9.20	20ME
D1200-DUOLSB	14"x19"x12" Standard Dual Pipe Slot Box, Overlapping Solid Plastic Cover - Water Meter	Black/Black	72	9.20	20ME
D1200-OLLOCB	14"x19"x12" Standard Box, Overlapping Locking Solid Plastic Cover - Water Meter	Black/Black	72	9.40	20ME
D1200-CI	14"x19"x12" Standard Box, Overlapping Solid Cast Iron Cover - Water Meter	Black/Black	72	19.00	20ME
D1200-OLSP	14"x19"x12" Standard Box, Overlapping Solid Plastic Cover - Reclaimed Water	Black/Purple	72	9.20	20DV
D1200P-OLSP	14"x19"x12" Standard Box, Overlapping Solid Plastic Cover - Reclaimed Water	Purple/Purple	72	9.20	20DV
D1200-OLRB	14"x19"x12" Standard Box, Overlapping Meter Reader Plastic w/ Plastic Reader Cover - Water Meter	Black/Black	72	9.20	20ME
D1200-OLCIR	14"x19"x12" Standard Box, Overlapping Meter Reader Plastic w/ Cast Iron Reader Cover - Water Meter	Black/Black	72	10.60	20ME
D1200-CICIR	14"x19"x12" Standard Box, Overlapping Meter Reader Cast Iron w/ Cast Iron Reader Cover - Water Meter	Black/Black	72	10.28	20ME
Drop In Cover Only					
D1200-DISBL	14"x19" Drop-in Solid Plastic Cover - Water Meter	Black	216	2.20	20ME
D1200-DISBSWRL	14"x19" Drop-in Solid Plastic Cover - Sewer	Black	216	2.20	20ME
D1200-DISGSWRL	14"x19" Drop-in Solid Plastic Cover - Sewer	Green	216	2.20	20ME
D1200-DIBLTRDL	14"x19" Drop-in Blue Touch Read Cover - Water Meter	Blue	216	2.20	20ME
D1200-DISPL	14"x19" Drop-in Solid Plastic Cover - Reclaimed Water	Purple	216	2.20	20DV
D1200-DIRBL	14"x19" Drop-in Meter Reader w/ Plastic Reader Cover - Water Meter	Black	216	2.20	20ME
D1200-DIBLRDL	14"x19" Drop-in Meter Reader w/ Plastic Reader Cover - Water Meter	Blue	216	2.20	20ME
D1200-DIRP LID	14"x19" Drop-in Meter Reader w/ Plastic Reader Cover - Reclaimed Water	Purple	216	2.20	20ME
D1200-DICIRLID	14"x19" Drop-in Meter Reader w/ Cast Iron Reader Cover - Water Meter	Black	216	3.40	20ME
D1200-SGWTRL	14"x19" Drop-in Solid Plastic Cover - Water Meter	Green	216	2.20	20ME
Overlapping Cover Only					
D1200-CICIR LD	14"x19" Overlapping Cast Iron Lid w/ Cast Iron Reader - Water Meter	Black	216	2.40	20ME
D1200-OLSBL	14"x19" Overlapping Solid Plastic Cover - Water Meter	Black	216	2.40	20ME
D1200-OLLOCBLD	14"x19" Overlapping Locking Solid Plastic Cover - Water Meter	Black	216	2.60	20ME
D1200-OLBLL	14"x19" Overlapping Solid Plastic Cover - Water Meter	Blue	216	2.40	20ME
D1200-OLSPL	14"x19" Overlapping Solid Plastic Cover - Reclaimed Water	Purple	216	2.40	20DV
D1200-CIL	14"x19" Overlapping Meter Reader Solid Cast Iron Cover - Water Meter	Black	216	12.20	20ME
D1200-OLRBL	14"x19" Overlapping Meter Reader Plastic w/ Plastic Reader Cover - Water Meter	Black	216	2.40	20ME
D1200-OLRBLUL	14"x19" Overlapping Meter Reader Plastic w/ Plastic Reader Cover - Water Meter	Blue	216	2.40	20ME
D1200-OLCIR LD	14"x19" Overlapping Meter Reader Plastic w/ Cast Iron Reader Cover - Water Meter	Black	216	3.80	20ME
Box Only					
D1200-B/O	14"x19"x12" Standard Box	Black	72	6.80	20ME
D1200-DUB/O	14"x19"x12" Standard Dual Pipe Slot Box	Black	72	6.80	20ME
D1200-BDB/O	14"x19"x12" Standard Bolt Down Box	Black	72	7.00	20ME
D1200P-B/O	14"x19"x12" Standard Box	Purple	72	6.80	20DV
D1200G-B/O	14"x19"x12" Standard Box	Green	72	6.80	20DV
D600E-EXT	14"x19"x6" Extension Only	Black	42	4.20	20DV

ALL LOCKING LIDS REQUIRE PART NUMBER DKEY FOR UNLOCKING

Note: All dimensions are nominal. All weights are for shipping purposes only. Availability is subject to change.

NDS D1500 Meter Boxes

Specifications: NDS 13"x20" meter boxes and covers are injection molded of structural foam recycled polyolefin material with a melt index between 10-12. Coloring and UV stabilizers are added, along with processing lubricants when needed. The 13"x20" body shall be tapered and have a minimum wall thickness of .25". The body shall have a double wall at the top cover seat area with a minimum thickness of .187". The cover seat area shall have 30 structural support ribs on the underside of the seat, each with a minimum thickness of 1/50". The bottom of the body shall have a 1" flange. The 13"x20" cover shall have an average thickness of .250".



Part Number	Description - Marking	Color (Box/Cover)	Pallet Qty	Weight (Ea)	Product Class
Drop In Box & Cover					
D1500-DISB	13"x20"x12" Jumbo Box, Drop-in Solid Plastic Cover - Water Meter	Black/Black	48	13.20	20ME
D1500-DUDISB	13"x20"x12" Dual Pipe Slot Jumbo Box, Drop-in Solid Plastic Cover - Water Meter	Black/Black	48	13.49	20ME
D1500-DIRB	13"x20"x12" Jumbo Box, Drop-in Meter Reader Plastic w/ Plastic Reader Cover - Water Meter	Black/Black	48	13.20	20ME
D1500-DUDIRB	13"x20"x12" Dual Pipe Slot Jumbo Box, Drop-in Meter Reader Plastic w/ Plastic Reader Cover - Water Meter	Black/Black	48	13.49	20ME
D1500-DICIR	13"x20"x12" Jumbo Box, Drop-in Meter Reader Plastic w/ Cast Iron Reader Cover - Water Meter	Black/Black	48	14.40	20ME
D1500-DUDICIR	13"x20"x12" Dual Pipe Slot Jumbo Box, Drop-in Meter Reader Plastic w/ Cast Iron Reader Cover - Water Meter	Black/Black	48	13.20	20ME
D1500P-DU-DICP	13"x20"x12" Dual Pipe Slot Jumbo Box, Drop-in Meter Reader Plastic w/ Cast Iron Reader Cover - Water Meter	Purple/Purple	48	14.60	20ME
Overlapping Box & Cover					
D1500-OLSB	13"x20"x12" Jumbo Box, Overlapping Solid Plastic Cover - Water Meter	Black/Black	48	13.20	20ME
D1500-BDOLSB	13"x20"x12" Jumbo Box, Bolt-Down Overlapping Solid Plastic Cover - Water Meter	Black/Black	48	13.40	20ME
D1500G-OLSG	13"x20"x12" Jumbo Box, Overlapping Solid Plastic Cover	Black/Green	48	13.20	20DV
D1500-OLRB	13"x20"x12" Jumbo Box, Overlapping Meter Reader Plastic w/ Plastic Reader Cover - Water Meter	Black/Black	48	13.20	20ME
Drop In Cover Only					
D1500-DISBL	13"x20" Drop-in Solid Plastic Cover - Water Meter	Black	96	3.80	20ME
D1500-DISPL	13"x20" Drop-in Solid Plastic Cover - Reclaimed Water	Purple	96	3.80	20DV
D1500-DIRBL	13"x20" Drop-in Meter Reader Plastic w/ Plastic Reader Cover - Water Meter	Black	96	3.80	20ME
D1500-DICIR LD	13"x20" Drop-in Meter Reader Plastic w/ Cast Iron Reader Cover - Water Meter	Black	96	5.00	20ME
Overlapping Cover Only					
D1500-OLSBL	13"x20" Jumbo Overlapping Solid Plastic Cover - Water Meter	Black	96	3.80	20ME
D1500-OLSGL	13"x20" Jumbo Overlapping Solid Plastic Cover	Green	96	3.80	20DV
Box Only					
D1500-B/O	13"x20"x12" Jumbo Box	Black	48	9.40	20ME
D1500-DUB/O	13"x20"x12" Dual Pipe Slot Jumbo Box	Black	48	8.91	20ME
D1500-BDB/O	13"x20"x12" Jumbo Bolt-Down Box	Black	48	9.60	20ME
D750E-EXT	13"x20"x6" Extension Only	Black	36	5.60	20DV

ALL LOCKING LIDS REQUIRE PART NUMBER DKEY FOR UNLOCKING

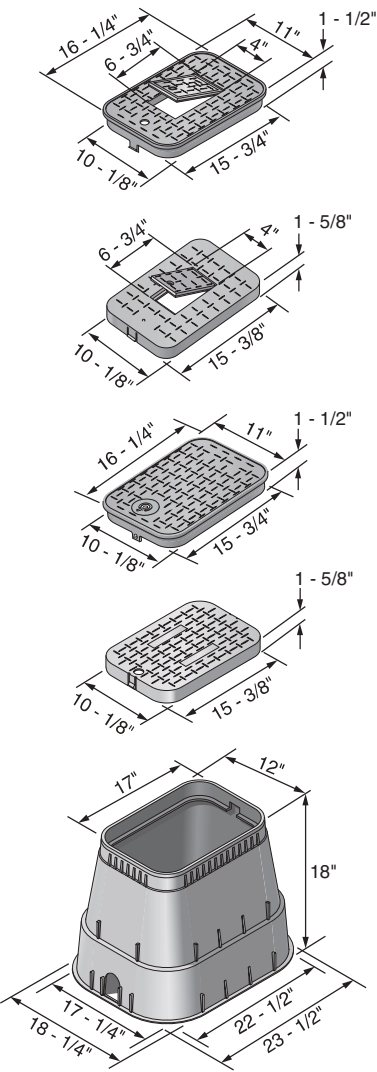
Note: All dimensions are nominal. All weights are for shipping purposes only. Availability is subject to change.

NDS METER BOXES

STANDARD COMMERCIAL GRADE

NDS D1800 Meter Boxes

Specifications: NDS 14"x19"x18" meter boxes and covers are injection molded of structural foam recycled polyolefin material with a melt index between 10-12. Coloring and UV stabilizers are added, along with processing lubricants when needed. The 14"x19" body shall be tapered and have a minimum wall thickness of .25". The body shall have a double wall at the top cover seat area with a minimum thickness of .22". The cover seat area shall have 26 structural support ribs on the underside of the seat, each with a minimum thickness of .12". The bottom of the body shall have a .50" flange. The 14"x19" cover shall have an average thickness of .20".



3x4" Pipe Slot

Part Number	Description - Marking	Color (Box/Cover)	Pallet Qty	Weight (Ea)	Product Class
Drop In Box & Cover					
D1800-DISB	14"x19"x18" Box, Drop-in Solid Plastic Cover - Water Meter	Black/Black	48	12.20	20ME
D1800-DIRB	14"x19"x18" Box, Drop-in Meter Reader Plastic w/ Plastic Reader Cover - Water Meter	Black/Black	48	12.20	20ME
D1800-DICIR	14"x19"x18" Box, Drop-in Meter Reader Plastic w/ Cast Iron Reader Cover - Water Meter	Black/Black	48	13.40	20ME
Drop In Cover Only					
D1200-DISBL	14"x19" Drop-in Solid Plastic Cover - Water Meter	Black	216	2.20	20ME
D1200-DISBSWRL	14"x19" Drop-in Solid Plastic Cover - Sewer	Black	216	2.20	20ME
D1200-DISGSWRL	14"x19" Drop-in Solid Plastic Cover - Sewer	Green	216	2.20	20ME
D1200-DISPL	14"x19" Drop-in Solid Plastic Cover - Reclaimed Water	Purple	216	2.20	20DV
D1200-DIRBL	14"x19" Drop-in Meter Reader w/ Plastic Reader Cover - Water Meter	Black	216	2.20	20ME
D1200-DIBLRDL	14"x19" Drop-in Meter Reader w/ Plastic Reader Cover - Water Meter	Blue	216	2.20	20ME
D1200-DIBLTRDL	14"x19" Drop-in Meter Blue Touch Read Cover - Water Meter	Blue	216	2.20	20ME
D1200-DIRP LID	14"x19" Drop-in Meter Reader w/ Plastic Reader Cover - Reclaimed Water	Purple	216	2.20	20ME
D1200-DICIRLID	14"x19" Drop-in Meter Reader w/ Cast Iron Reader Cover - Water Meter	Black	216	3.40	20ME
D1200-SGSWRL	14"x19" Drop-in Solid Plastic Cover - Water Meter	Green	216	2.20	20ME
D1200-DISBSWRL	14"x19" Drop-in Solid Plastic Cover - Sewer	Black	216	2.20	20ME
Overlapping Cover Only					
D1200-OLLSBL	14"x19" Overlapping Solid Plastic Cover - Water Meter	Black	216	2.40	20ME
D1200-OLLOCBLD	14"x19" Overlapping Locking Solid Plastic Cover - Water Meter	Black	100	2.60	20ME
D1200-OLBLL	14"x19" Overlapping Solid Plastic Cover - Water Meter	Blue	216	2.40	20ME
D1200-OLSPL	14"x19" Overlapping Solid Plastic Cover - Reclaimed Water	Purple	216	2.40	20DV
D1200-CIL	14"x19" Overlapping Meter Reader Solid Cast Iron Cover - Water Meter	Black	216	12.20	20ME
D1200-OLRBL	14"x19" Overlapping Meter Reader Plastic w/ Plastic Reader Cover - Water Meter	Black	216	2.40	20ME
D1200-OLRBLUL	14"x19" Overlapping Meter Reader Plastic w/ Plastic Reader Cover - Water Meter	Blue	216	2.40	20ME
D1200-OLCIR LD	14"x19" Overlapping Meter Reader Plastic w/ Cast Iron Reader Cover - Water Meter	Black	216	3.80	20ME
Box Only					
D1800-B/O	14"x19"x18" Box	Black	48	10.00	20ME
D1800-B/O NH	14"x19"x18" Box, No Pipe Slots	Black	48	10.00	20ME

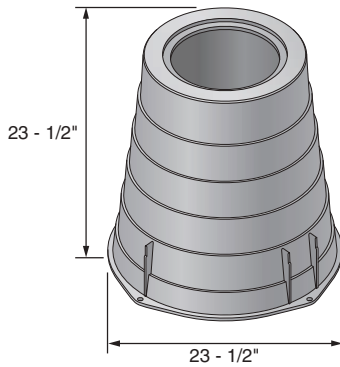
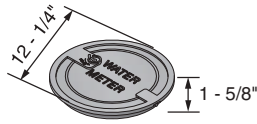
ALL LOCKING LIDS REQUIRE PART NUMBER DKEY FOR UNLOCKING

Note: All dimensions are nominal. All weights are for shipping purposes only. Availability is subject to change.

NDS D2400 Meter Boxes

Specifications: NDS 16" round meter pits and covers are injection molded of structural foam recycled polyolefin material with a melt index between 10-12. Coloring and UV stabilizers are added, along with processing lubricants when needed.

The 16" round meter pit body shall be tapered and have a minimum wall thickness of .2615". The body shall have a double wall at the top cover seat area with a minimum thickness of .2780". The cover seat area shall have 8 structural support ribs on the underside of the seat, each with a minimum thickness of .0995". The bottom of the body shall have a 1/2" flange which flares to 1-1/4" at bolt hole. The 12 3/8" cover shall have an average thickness of .375".



Part Number	Description - Marking	Color (Box/Cover)	Pallet Qty	Weight (Ea)	Product Class
Box & Cover					
D2400-18LOCSB	18" Meter Pit, Overlapping Locking Solid Plastic Cover - Water Meter	Black/Black	52	12.00	20ME
D2400-LOCSB	24" Meter Pit, Overlapping Locking Solid Plastic Cover - Water Meter	Black/Black	52	16.20	20ME
Cover Only					
D2400-LOCSWBL	Overlapping Locking Solid Plastic Cover - Water Meter	Black	52	1.60	20ME
D2400-CIL	Overlapping Solid Cast Iron Cover - Water Meter	Black	52	2.86	20ME
Box Only					
D2400-18 B/O	18" Meter Pit	Black	52	10.40	20ME

NDS Replacement Parts

Part Number	Description - Marking	Color (Box/Cover)	Pallet Qty	Weight (Ea)	Product Class
DKEY	Brass Locking Key	Brass	1	0.50	20ME

ALL LOCKING LIDS REQUIRE PART NUMBER DKEY FOR UNLOCKING

Note: All dimensions are nominal. All weights are for shipping purposes only. Availability is subject to change.