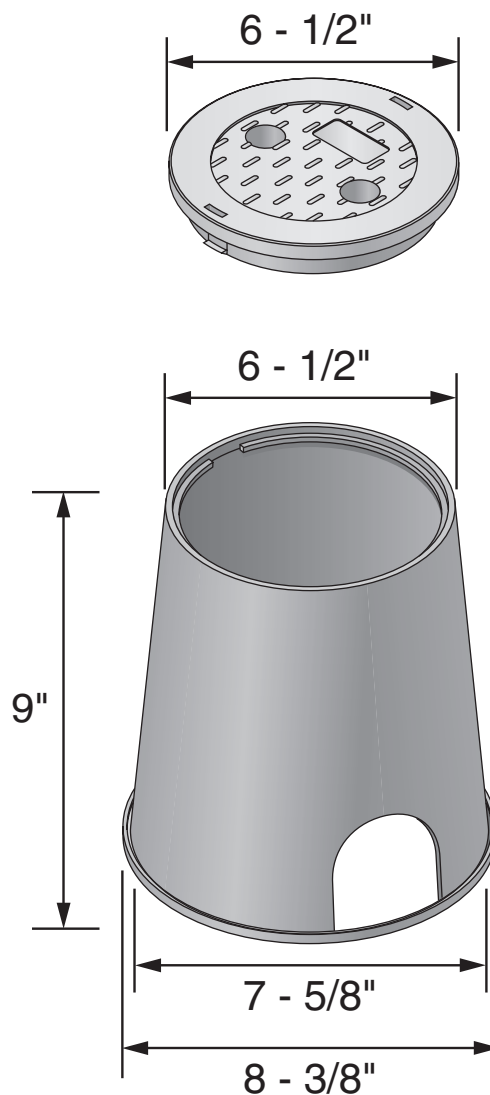


NDS 6" Round Meter Boxes

NDS 6" Round Meter Boxes

Premium Commercial Grade

Specifications: The NDS 6" round meter boxes and covers are injection molded of structural foam polyolefin material with a melt index between 10-12. Coloring and UV stabilizers are added, along with processing lubricants when needed. The 6" round body shall be tapered and have a minimum wall thickness of .20". The body shall have a double wall at the top cover seat area with a minimum thickness of .13". The bottom of the body shall have a .25" flange. The 6" round cover shall have an average thickness of .187".



2-3/4" x 2-3/8" Pipe Slot

Part Number	Box Description	Cover Description - Marking	Color (Box/Cover)	Pallet Qty	Weight Ea
Box & Cover					
107BCW	6" Round Box,	Overlapping Solid Plastic Cover - Water Meter	Black/Black	250	1.50
107BCR	6" Round Box,	Overlapping Solid Plastic Cover - Reclaimed Water	Black/Purple	250	1.50
107PBCR	6" Round Box,	Overlapping Solid Plastic Cover - Reclaimed Water	Purple/Purple	250	1.50
107BCS	6" Round Box,	Overlapping Solid Plastic Cover - Sewer	Black/Green	250	1.50
208BCS	6" Round Box,	Overlapping Solid Plastic Cover - Sewer	Green/Green	250	1.50
107BC CATV	6" Round Box,	Overlapping Solid Plastic Cover - CATV	Black/Black	250	1.50
Cover Only					
107CW		6" Overlapping Solid Plastic Cover - Water Meter	Black	800	0.40
107CR		6" Overlapping Solid Plastic Cover - Reclaimed Water	Purple	800	0.40
107CS		6" Overlapping Solid Plastic Cover - Sewer	Green	800	0.40
107C CATV		Overlapping Solid Plastic Cover - CATV	Black	800	0.40
Box Only					
107B	6" Round Box		Black	250	1.10
107PB	6" Round Box		Purple	250	1.10

Call for additional options and availability

Properties of Unfoamed Resin		
	ASTM Test Method	Polyolefin
Tensile Strength, Yield	ASTM D 638	3100-4400 PSI
Density	ASTM D 792	.900-.956
Notched Izod Impact Strength	ASTM D 256	4-15 ft. lbs/in.
Heat Deflection Temperature @ 66 PSI, Degrees F.	ASTM D 648	165-212 degrees F.

Shipping Configuration	
	Box & Cover
Pallet	250
Pieces per Stack	10
Stack per Pallet	25
Pallet Dimensions	40"x48"x35 1/2"



NDS Customer Service

851 N. Harvard Ave
Lindsay, CA 93247
Phone: (800) 726-1994
(559) 562-9888
Fax: (800) 726-1998
(559) 562-4488

www.NDSPRO.com