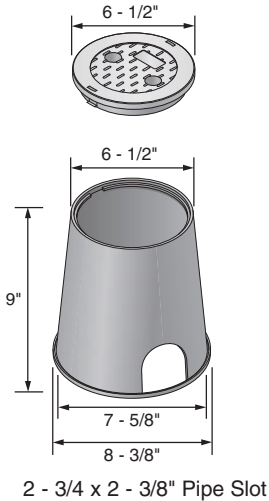


# NDS PRO SERIES METER BOXES

## PREMIUM COMMERCIAL GRADE

### NDS 6" Round Meter Boxes

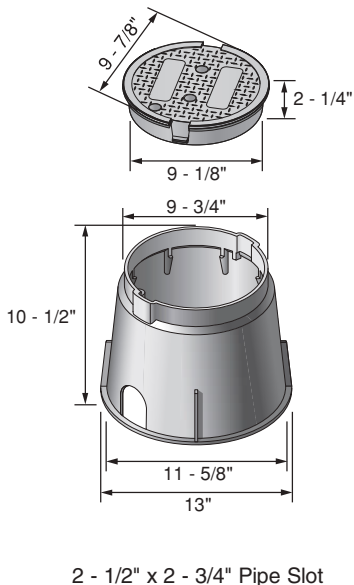
**Specifications:** The NDS 6" round meter boxes and covers are injection molded of structural foam polyolefin material with a melt index between 10-12. Coloring and UV stabilizers are added, along with processing lubricants when needed. The 6" round body shall be tapered and have a minimum wall thickness of .20". The body shall have a double wall at the top cover seat area with a minimum thickness of .13". The bottom of the body shall have a .25" flange. The 6" round cover shall have an average thickness of .187".



Part Number	Description - Marking	Color (Box/Cover)	Pallet Qty	Weight (Ea)	Product Class
<b>Box &amp; Cover</b>					
107BCW	6" Round Box, Overlapping Solid Plastic Cover - Water Meter	Black/Green	250	1.50	20NM
107BCR	6" Round Box, Overlapping Solid Plastic Cover - Reclaimed Water	Black/Purple	250	1.50	20ND
107PBCR	6" Round Box, Overlapping Solid Plastic Cover - Reclaimed Water	Purple/Purple	250	1.50	20ND
107BCS	6" Round Box, Overlapping Solid Plastic Cover - Sewer	Black/Green	250	1.50	20NM
208BCS	6" Round Box, Round Overlapping Solid Plastic Cover - Sewer	Green/Green	250	1.50	20PR
<b>Cover Only</b>					
107CW	6" Overlapping Solid Plastic Cover - Water Meter	Green	800	0.40	20NM
107CR	6" Overlapping Solid Plastic Cover - Reclaimed Water	Purple	800	0.40	20ND
107CS	6" Overlapping Solid Plastic Cover - Sewer	Green	800	0.40	20NM
<b>Box Only</b>					
107B	6" Round Box	Black	250	1.10	20ND
107PB	6" Round Box	Purple	250	1.10	20ND

### NDS 10" Round Meter Boxes

**Specifications:** The NDS 10" round meter boxes and covers are injection molded of structural foam polyolefin material with a melt index between 10-12. Coloring and UV stabilizers are added, along with processing lubricants when needed. The 10" round body shall be tapered and have a minimum wall thickness of .30". The cover seat area shall have 8 structural support ribs on the underside of the seat, each with a minimum thickness of .25". The bottom of the body shall have a .50" flange. The 10" round cover shall have an average thickness of .30". The Meter box shall have a 3/8" 304 SS nut for the bolt-down as a standard feature.



Part Number	Description - Marking	Color (Box/Cover)	Pallet Qty	Weight (Ea)	Product Class
<b>Box &amp; Cover</b>					
211PBCR	10" Round Box, Overlapping Reclaimed Solid Plastic Cover - Water Meter	Purple/Purple	120	4.50	20PR
111BCS	10" Round Box, Overlapping Solid Plastic Cover - Sewer	Black/Green	180	4.00	20NM
212BCS	10" Round Box, Round Overlapping Solid Plastic Cover - Sewer	Green/Green	120	4.50	20PR
212BCBS	10" Round Box, Round Overlapping Bolt-Down Solid Plastic Cover - Sewer	Green/Green	120	4.60	20PR
212BC ELEC	10" Round Box, Overlapping Solid Plastic Cover - Electrical	Gray/Gray	120	4.50	20PR
212BCB ELEC	10" Round Box, Overlapping Bolt-Down Solid Plastic Cover - Electrical**	Gray/Gray	120	4.60	20PR
<b>Cover Only</b>					
211CW	10" Overlapping Water Solid Plastic Cover - Water Meter	Black	200	1.50	20PR
211CR	10" Overlapping Reclaimed Solid Plastic Cover - Water Meter	Purple	200	1.50	20PR
111CS	10" Round Overlapping Solid Plastic Cover - Sewer	Green	300	1.00	20NM
211CRG	10" Round Overlapping Solid Plastic Cover - Reclaimed Water	Green	200	1.50	20PR
211CS	10" Round Overlapping Solid Plastic Cover - Sewer	Green	200	1.50	20PR
211C ELEC	10" Overlapping Solid Plastic Cover - Electrical	Gray	200	1.50	20PR
<b>Box Only</b>					
212B	10" Round Box	Green	120	3.00	20PR
212PB	10" Round Box	Purple	120	3.00	20PR
212B GRAY	10" Round Box	Gray	120	3.00	20PR
211BB	Bolt for 10" Cover	Steel	(Bag of 10)	0.10	20PR

\*\*Note - Installer responsible for ensuring product meets local building/electrical code requirements.

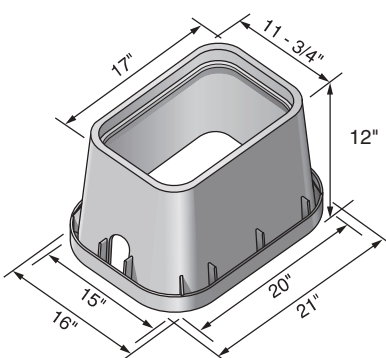
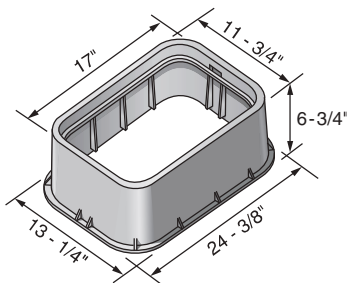
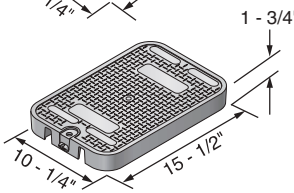
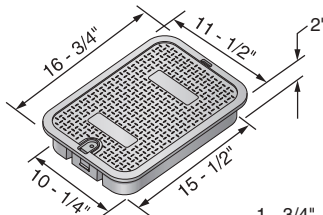
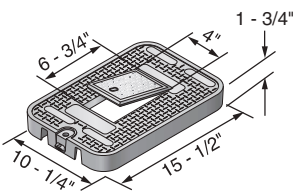
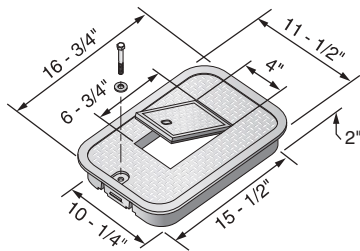
Note: All dimensions are nominal. All weights are for shipping purposes only. Availability is subject to change.

# NDS PRO SERIES METER BOXES

PREMIUM COMMERCIAL GRADE

## NDS 14"x19" Meter Boxes

**Specifications:** The NDS 14"x19" meter boxes and covers are injection molded of structural foam polyolefin material with a melt index between 10-12. Coloring and UV stabilizers are added, along with processing lubricants when needed. The 14"x19" body shall be tapered and have a minimum wall thickness of .25". The body shall have a double wall at the top cover seat area with a minimum thickness of .25". The cover seat area shall have 16 structural support ribs on the underside of the seat, each with a minimum thickness of .25". The bottom of the body shall have a .50" flange. The 12"x20" cover shall have an average thickness of .25". The Meter box shall have a 3/8" 304 SS nut for the bolt-down as a standard feature.



2 - 3/4 x 2 - 1/2" Pipe Slot

Part Number	Description - Marking	Color (Box/Cover)	Pallet Qty	Weight (Ea)	Product Class
<b>Drop In Box &amp; Cover</b>					
113BCDW	14"x19"x12" Box, Drop-in Solid Plastic Cover - Water Meter	Black/Black	78	9.00	20NM
113BCDS	14"x19"x12" Box, Drop-in Solid Plastic Cover - Sewer	Black/Green	78	9.00	20NM
113BCDMCIF	14"x19"x12" Box, Drop-in Meter Reader Plastic w/ Cast Iron Reader Cover - Water Meter	Black/Black	78	9.75	20NM
214BCB ELEC	14"x19" Box, Drop-in Solid Plastic Cover - Electrical**	Gray/Gray	78	9.00	20PR
<b>Overlapping Box &amp; Cover</b>					
113BCW	14"x19"x12" Box, Overlapping Solid Plastic Cover - Water Meter	Black/Black	78	9.00	20NM
113BCS	14"x19"x12" Box, Overlapping Solid Plastic Cover - Sewer	Black/Green	78	9.00	20NM
113BCE	14"x19"x12" Box, Overlapping Solid Plastic Cover - Electrical	Green/Green	78	9.00	20NM
113BCR	14"x19"x12" Box, Overlapping Solid Plastic Cover - Reclaimed Water	Black/Purple	78	9.00	20ND
113PBCR	14"x19"x12" Box, Overlapping Solid Plastic Cover - Reclaimed Water	Purple/Purple	78	9.00	20ND
113BCM	14"x19"x12" Box, Overlapping Meter Reader Plastic w/ Plastic Reader Cover - Water Meter	Black/Black	78	8.56	20NM
113BCMCIF	14"x19"x12" Box, Overlapping Meter Reader Plastic w/ Cast Iron Reader Cover - Water Meter	Black/Black	78	9.83	20NM
213PBCR	14"x19" Box, Overlapping Solid Plastic Cover - Reclaimed Water	Purple/Purple	78	9.00	20PR
214BCS	14"x19" Box, Overlapping Solid Plastic Cover - Sewer	Green/Green	78	9.00	20PR
214BCB ELEC	14"x19" Box, Overlapping Bolt-Down Solid Plastic Cover - Electrical**	Gray/Gray	78	9.10	20PR
214BCB TELE	14"x19" Box, Overlapping Bolt-Down Solid Plastic Cover - Telephone	Black/Black	78	9.10	20PR
<b>Drop In Cover Only</b>					
113CDMCIF	14"x19" Drop-in Meter Reader Plastic w/ Cast Iron Reader Cover - Water Meter	Black	300	3.47	20NM
<b>Overlapping Cover Only</b>					
113CW	14"x19" Overlapping Solid Plastic Cover - Water Meter	Black	300	2.30	20NM
114CW	14"x19" Overlapping Solid Plastic Cover - Water Meter	Green	300	2.30	20NM
113CR	14"x19" Overlapping Solid Plastic Cover - Reclaimed Water	Purple	300	2.30	20ND
113CE	14"x19" Overlapping Solid Plastic Cover - Electric	Green	300	2.30	20NM
113CM	14"x19" Overlapping Meter Reader Plastic w/ Plastic Reader Cover - Water Meter	Black	300	2.56	20NM
113CMCIF	14"x19" Overlapping Meter Reader Plastic w/ Cast Iron Reader Cover - Water Meter	Black	300	3.83	20NM
213CS	14"x19" Overlapping Solid Plastic Cover - Sewer	Green	300	2.50	20PR
213C ELEC	14"x19" Overlapping Solid Plastic Cover - Electrical**	Gray	300	2.50	20PR
<b>Box Only</b>					
113B	14"x19"x12" Box	Black	78	6.00	20NM
113PB	14"x19"x12" Box	Purple	78	6.00	20ND
113-6	14"x19"x6" Extension	Black	49	4.00	20ND
214B GRAY	14"x19" Box	Gray	78	6.00	20PR
114-6	14"x19"x6" Extension	Green	49	3.86	20ND
113BB	2-1/2" x 3/8" SS bolt	Steel	(Bag of 10)	0.10	20NM

\*\*Note - Installer responsible for ensuring product meets local building/electrical code requirements.



Note: All dimensions are nominal. All weights are for shipping purposes only. Availability is subject to change.

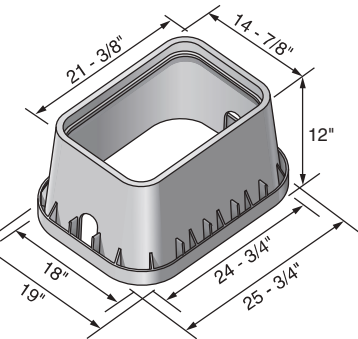
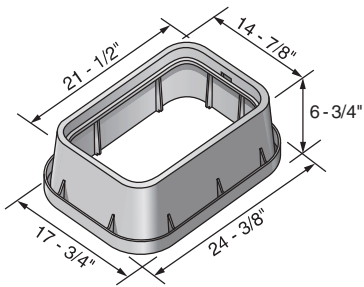
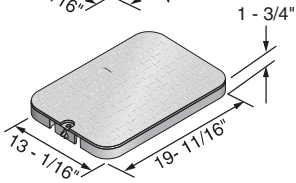
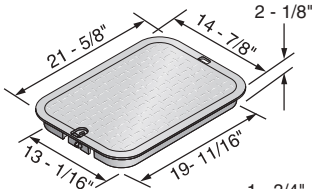
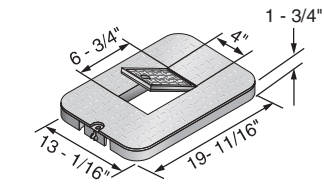
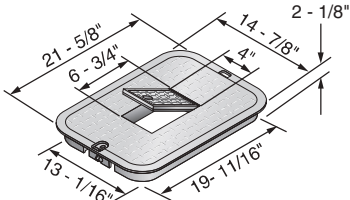
For customer service, please send your fax to: 1-800-726-1998 or call 1-800-726-1994.

# NDS PRO SERIES METER BOXES

## PREMIUM COMMERCIAL GRADE

### NDS 13"x20" Meter Boxes

**Specifications:** The NDS 13"x20" meter boxes and covers are injection molded of structural foam polyolefin material with a melt index between 10-12. Coloring and UV stabilizers are added, along with processing lubricants when needed. The 13"x20" body shall be tapered and have a minimum wall thickness of .25". The body shall have a double wall at the top cover seat area with a minimum thickness of .25". The cover seat area shall have 16 structural support ribs on the underside of the seat, each with a minimum thickness of .25". The bottom of the body shall have a .50" flange. The 13"x20" cover shall have an average thickness of .25". The Meter box shall have a 3/8" 304 SS nut for the bolt-down as a standard feature.



3x4" Pipe Slot

Part Number	Description - Marking	Color (Box/Cover)	Pallet Qty	Weight (Ea)	Product Class
<b>Drop In Box &amp; Cover</b>					
117BCDW	13"x20"x12" Box, Drop-in Solid Plastic Cover - Water Meter	Black/Black	56	13.25	20NM
117DBCDCIF	13"x20"x12" Dual Outlet Box, Drop-in Meter Reader Plastic w/ Cast Iron Reader Cover - Water Meter	Black/Black	56	14.45	20NM
117PBCDCIFR	13"x20"x12" Box, Drop-in Meter Reader Plastic w/ Cast Iron Reader Cover - Water Meter	Purple/Purple	56	14.45	20NM
<b>Overlapping Box &amp; Cover</b>					
117BCS	13"x20"x12" Box, Overlapping Solid Plastic Cover - Sewer	Black/Green	56	14.00	20NM
217PBCR	13"x20" Jumbo Box, Overlapping Solid Plastic Cover - Reclaimed Water	Purple	56	14.00	20PR
218BCS	13"x20" Jumbo Box, Overlapping Solid Plastic Cover - Sewer	Green/Green	56	14.00	20PR
218BCBS	13"x20" Jumbo Box, Overlapping Bolt-Down Solid Plastic Cover - Sewer	Green/Green	56	14.10	20PR
<b>Drop In Cover Only</b>					
117CDW	13"x20" Drop-in Solid Plastic Cover - Water Meter	Black	180	4.25	20NM
117CDMCI	13"x20" Drop-in Meter Reader Plastic w/ Cast Iron Reader Cover - Water Meter	Black	180	5.45	20NM
117CDMCI	13"x20" Drop-in Meter Reader Plastic w/ Cast Iron Reader Cover - Water Meter	Purple	180	5.45	20NM
<b>Overlapping Cover Only</b>					
117CW	13"x20" Overlapping Solid Plastic Cover - Water Meter	Black	180	5.00	20NM
117CS	13"x20" Overlapping Solid Plastic Cover - Sewer	Green	180	5.00	20NM
217CR	13"x20" Jumbo Overlapping Solid Plastic Cover - Reclaimed Water	Purple	180	5.00	20PR
217CS	13"x20" Jumbo Overlapping Solid Plastic Cover - Sewer	Green	180	5.00	20PR
<b>Box Only</b>					
117B	13"x20"x12" Box, Single Inlet, Single Outlet	Black	56	9.00	20NM
117-6	13"x20" Jumbo extension	Black	32	6.00	20ND
113BB	2-1/2" x 3/8" SS bolt	Steel	(Bag of 10)	0.10	20NM

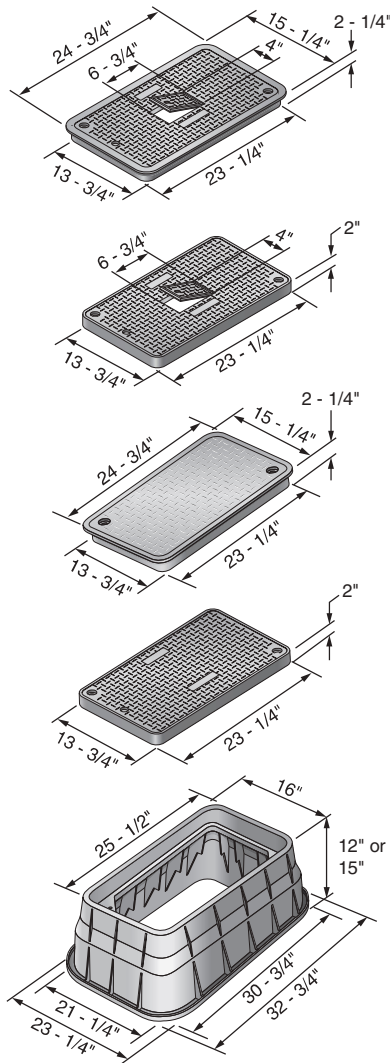
Note: All dimensions are nominal. All weights are for shipping purposes only. Availability is subject to change.

# NDS PRO SERIES METER BOXES

PREMIUM COMMERCIAL GRADE

## NDS 13"x24" Meter Boxes

**Specifications:** The NDS 13"x24" meter boxes and covers are injection molded of structural foam polyolefin material with a melt index between 10-12. Coloring and UV stabilizers are added, along with processing lubricants when needed. The 13"x24" body shall be tapered and have a minimum wall thickness of .27". The body shall have a double wall at the top cover seat area with a minimum thickness of .27". The cover seat area shall have 18 structural support ribs on the underside of the seat, each with a minimum thickness of .25". The bottom of the body shall have a 1" flange. The 13"x24" cover shall have an average thickness of .32". The Meter box shall have a 3/8" 304 SS nut for the bolt-down as a standard feature.



Part Number	Description - Marking	Color (Box/Cover)	Pallet Qty	Weight (Ea)	Product Class
<b>Drop In Box &amp; Cover</b>					
121BCDWB	13"x24"x12" Box, Bolt-Down Drop-in Solid Plastic Cover - Water Meter	Black/Black	12	22.78	20NM
121BCDMB	13"x24"x12" Box, Bolt-Down Drop-in Meter Reader Plastic w/ Plastic Reader Cover - Water Meter	Black/Black	12	21.81	20NM
121BCDMCIFB	13"x24"x12" Box, Bolt-Down Drop-in Meter Reader Plastic w/ Cast Iron Reader Cover - Water Meter	Black/Black	12	23.13	20NM
125BCDMCIFB	13"x24"x15" Box, Bolt-Down Drop-in Meter Reader Plastic w/ Cast Iron Reader Cover - Water Meter	Black/Black	12	26.13	20NM
221BCDB ELEC	13"x24"x12" Box, Drop-in Solid Plastic Cover - Electric**	Gray/Gray	12	23.90	20PR
222BCDB ELEC	13"x24"x15" Box, Drop-in Solid Plastic Cover - Electric***	Gray/Gray	12	25.90	20PR
***Note - Installer responsible for ensuring product meets local building/electrical code requirements. Insulate bolt with 1/2" x 2 3/4" heat shrink tube and/or a ground rod clamp (such as Thomas & Betts Part Number 63) to reduce the chance of electrical shock.					
<b>Overlapping Box &amp; Cover</b>					
125PBCRB	13"x24"x15" Box, Bolt-Down Overlapping Solid Plastic Cover - Reclaimed Water	Purple/Purple	12	26.44	20ND
<b>Drop In Cover Only</b>					
121CDM	13"x24" Drop-in Meter Reader Plastic w/ Plastic Reader Cover - Water Meter	Black	125	5.81	20NM
121CDW	13"x24" Drop-in Solid Plastic Cover- Water Meter	Black	125	6.68	20NM
121CDMCIF	13"x24" Drop-in Meter Reader Plastic w/ Cast Iron Reader Cover - Water Meter	Black	125	7.13	20NM
222CD ELEC-L-BOLT	13"x24" Drop-in Cover - Electric**	Gray	125	7.00	20PR
<b>Box Only</b>					
121B	13"x24"x12" Box	Black	12	16.00	20NM
125B	13"x24"x15" Box	Black	12	19.00	20NM

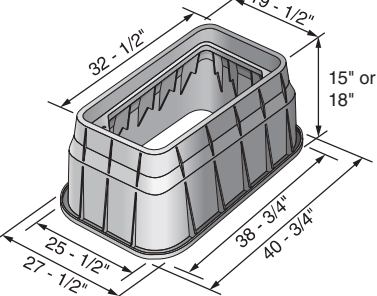
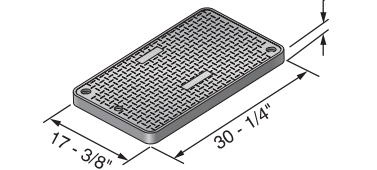
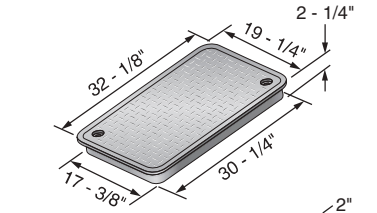
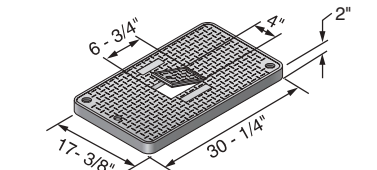
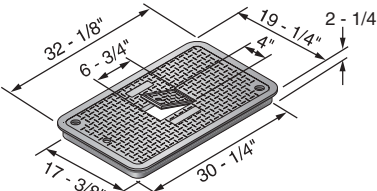
\*\*Note - Installer responsible for ensuring product meets local building/electrical code requirements.

# NDS PRO SERIES METER BOXES

## PREMIUM COMMERCIAL GRADE

### NDS 17"x30" Meter Boxes

**Specifications:** The NDS 17"x30" meter boxes and covers are injection molded of structural foam polyolefin material with a melt index between 10-12. Coloring and UV stabilizers are added, along with processing lubricants when needed. The 17"x30" body shall be tapered and have a minimum wall thickness of .32". The body shall have a double wall at the top cover seat area with a minimum thickness of .32". The cover seat area shall have 20 structural support ribs on the underside of the seat, each with a minimum thickness of .25". The bottom of the body shall have a 1" flange. The 17"x30" cover shall have an average thickness of .35". The Meter box shall have a 3/8" 304 SS nut for the bolt-down as a standard feature.



Part Number	Description - Marking	Color (Box/Cover)	Pallet Qty	Weight (Ea)	Product Class
<b>Drop In Box &amp; Cover</b>					
124BCDWB	17"x30"x15" Box, Bolt-Down Drop-in Solid Plastic Cover - Water Meter	Black/Black	12	34.79	20NM
126BCDWB	17"x30"x18" Box, Bolt-Down Drop-in Solid Plastic Cover - Water Meter	Black/Black	10	36.77	20NM
124BCDMB	17"x30"x15" Box, Bolt-Down Drop-in Plastic w/ Plastic Reader Cover - Water Meter	Black/Black	12	28.00	20NM
126BCDMB	17"x30"x18" Box, Bolt-Down Drop-in Plastic w/ Plastic Reader Cover - Water Meter	Black/Black	10	37.00	20NM
124BCDMCIFB	17"x30"x15" Box, Bolt-Down Drop-in Plastic w/ Cast Iron Reader Cover - Water Meter	Black/Black	12	36.52	20NM
126BCDMCIFB	17"x30"x18" Box, Bolt-Down Drop-in Plastic w/ Cast Iron Reader Cover - Water Meter	Black/Black	10	38.50	20NM
226BCDB ELEC	17"x30"x18" Box, Bolt-Down Drop-in Solid Plastic Cover - Electric**	Gray/Gray	10	36.90	20PR
<b>Drop In Cover Only</b>					
123CDMCIF	17"x30" Drop-in Plastic w/ Cast Iron Reader Cover - Water Meter	Black	75	12.16	20NM
<b>Overlapping Cover Only</b>					
223CR	17"x30" Overlapping Solid Plastic Cover - Reclaimed Water	Purple	75	11.00	20ND
<b>Box Only</b>					
124B	17"x30"x15" Box	Black	12	24.26	20NM
126B	17"x30"x18" Box	Black	10	26.24	20NM
126PB	17"x30"x18" Box	Purple	10	23.64	20ND

\*\*Note - Installer responsible for ensuring product meets local building/electrical code requirements.

Note: All dimensions are nominal. All weights are for shipping purposes only. Availability is subject to change.

