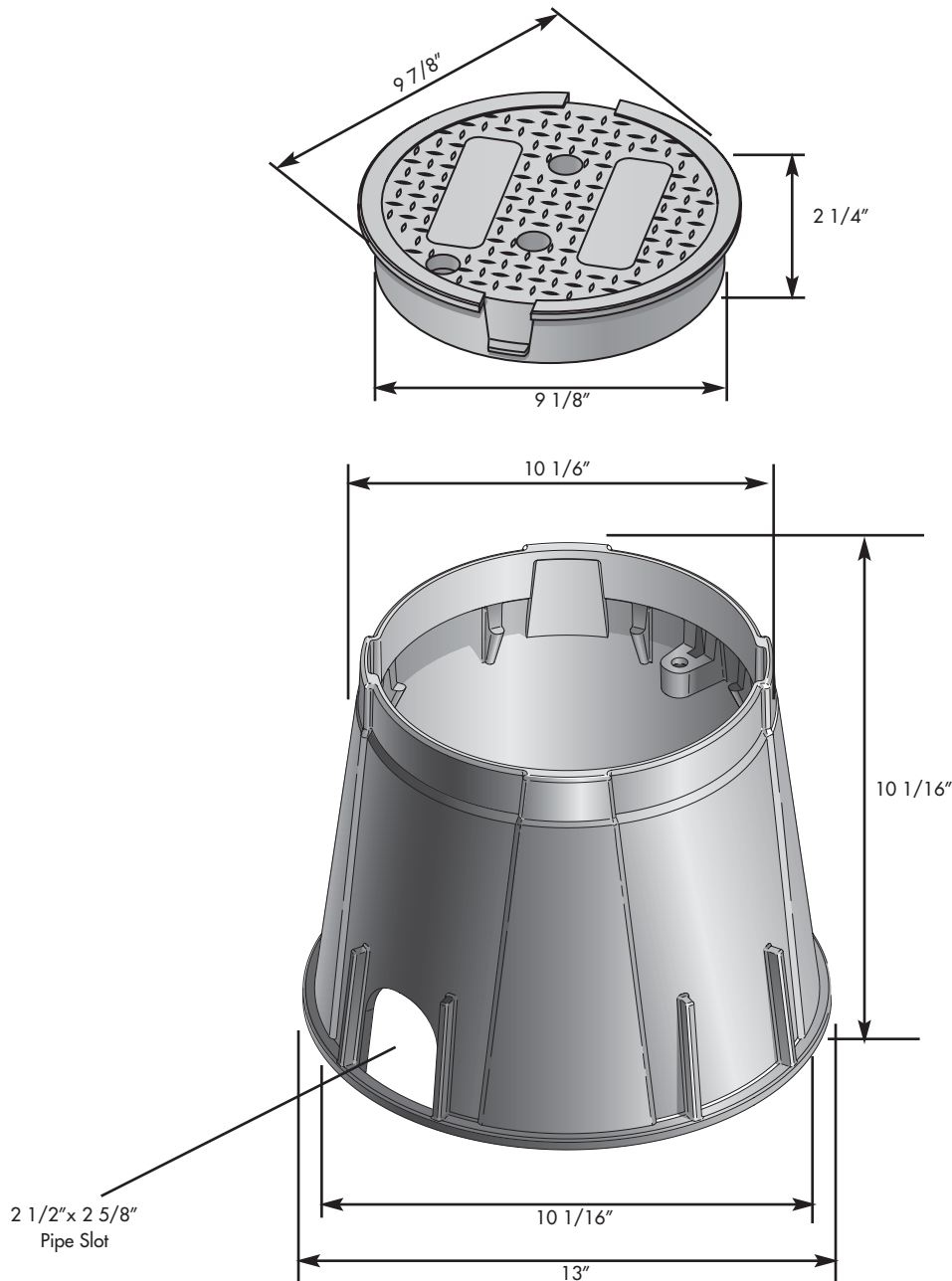


## NDS Pro Series Plus 10" Round Valve Boxes

### 312BC, 10" Round Pro Series Plus

The NDS 312BC is a 10" round high performance structural foam polyethylene valve box with locking brass insert, structural corrugated ribbed sidewall, bayonet twist-on overlapping lip cover with two finger holes and UV inhibitor. Optional locking stainless steel bolt available.



Part Number	Box Description	Cover Description - Marking	Color (Box/Cover)	Weight Ea
<b>Box &amp; Cover</b>				
312BC	10" Round Box	Round Overlapping Cover - ICV	Green/Green	4.00
312PBCR	10" Round Box	Round Overlapping Cover - Reclaimed Water	Purple/Purple	4.00
312BCSAND	10" Round Box	Round Overlapping Cover - ICV	Sand/Sand	4.00
<b>Cover Only</b>				
311C		10" Round Overlapping Cover - ICV	Green	1.50
311CR		10" Round Overlapping Cover - Reclaimed Water	Purple	1.50
311CSAND		10" Round Overlapping Cover - ICV	Sand	1.50
<b>Box Only</b>				
312B	10" Round Box		Green	2.50
312PB	10" Round Box		Purple	2.50
312BSAND	10" Round Box		Sand	2.50

Call for additional options and availability

Properties of unfoamed resin	ASTM Test Method	Polyethylene
Tensile Strength, Yield	ASTM D 638	3400 psi
Density	ASTM D 792	95 g/cc min
Durometer, Shore D	ASTM D 2240	55 min
Flexural Modulus	ASTM D 790	140,000 PSI min
Notched Izod Impact Strength @ 23 degrees C.	ASTM D 256	- 1.5 ft lb/in min
Heat Deflection Temperature @ 66 PSI, Degrees F.	ASTM D 648	150° F

Shipping Configuration	
	Box & Cover
Pallet	132
Pieces per Stack	11
Stacks per Pallet	12
Pallet Dimensions	40"x52"x54"



**NDS Customer Service**

851 N. Harvard Ave  
Lindsay, CA 93247

Phone: (800) 726-1994  
(559) 562-9888

Fax: (800) 726-1998  
(559) 562-4488

[www.NDSPRO.com](http://www.NDSPRO.com)